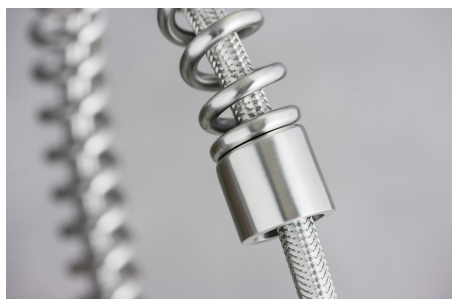


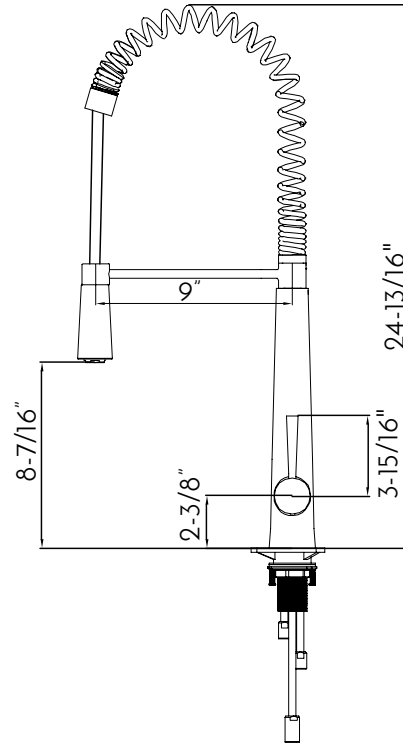


DAX-001-03



KITCHEN FAUCETS SERIES





FEATURES

- Pull down shower head
- Brushed stainless steel finish
- 304 stainless steel body casting
- Single sprayer
- Stainless steel shower head
- Ceramic cartridge
- Flow rate 2.2 GPM
- Height 24-13/16"
- Installation hole 1-3/8"
- Water lines and mounting parts included





KITCHEN FAUCET DAX-001-03

MODEL	DAX-001-03
UPC APPROVED	NA
ANSI APPROVED	NO
ASME APPROVED	NO
WATERSENSE CERTIFIED	NO
NSF APPROVED	Passed
CONNECTION SIZE	M34
FAUCET HOLE SIZE	1-3/8"
FAUCETS HOLE	1 hole
FAUCET TYPE	Contemporary kitchen faucet
FLOW RATE (GPM)	2.2 gpm
HANDLE STYLE	Lever handle
NUMBER OF HANDLES	1
HOSE LENGTH	American 3/8 inlet hose 19-11/16"
INSTALLATION TYPE	Deck mounted
MATERIAL	Stainless steel 304 grade
FINISH	Satin
PULL OUT SPRAY	Stainless steel materials
PRE-RINSE	NO
SIDESPRAY	Side
SPOUT REACH	8" - 10"
SPOUT SWIVEL	360°
SPOUT TYPE	Gooseneck spout
CARTRIDGE TYPE	Ceramic (kerox brand, made in hungary)
MAX DECK THICKNESS	0 - 1-3/8"
INCLUDED COMPONENTS	Mounting parts water lines

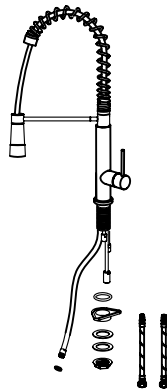


01

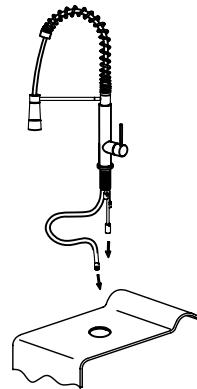
Installation
Clean the pipes



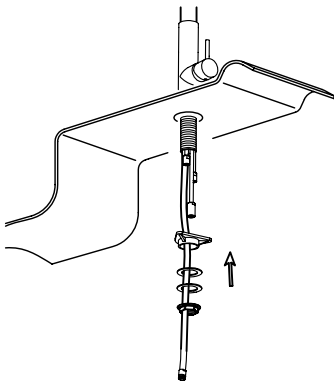
02



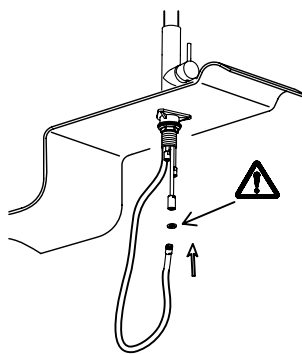
03



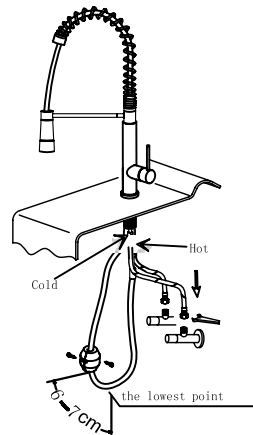
04



05



06



07

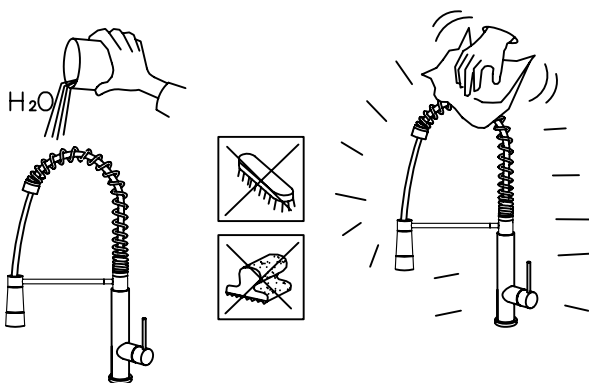
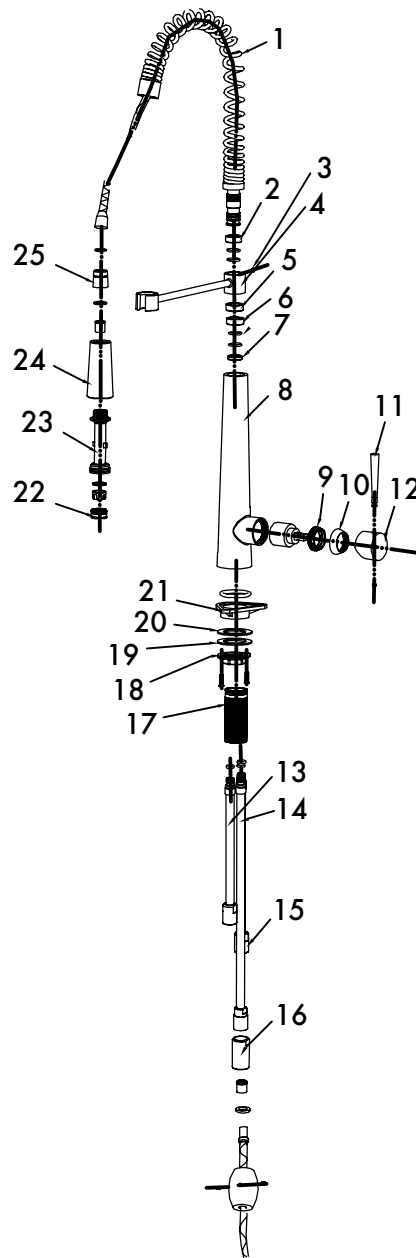




DIAGRAM NUMBER	DAX SKU	TITLE DESCRIPTION
1	0402B	Spring
2	0172	Positioning plastic ring
3		Rubber hexagon set screws
4	039	Conical spring faucet
5	0635B	Spring faucet positioning ring
6	0635	Spring faucet positioning ring
7	0175	Plastic ring
8	0394	Conical spring body
9	0165	Gland
10	0166	Decorated cove
11	0444	Handlebar
12	0173	Handle
13	0034	T-type pull the faucet
14	0037	T-type pull the faucet outlet pipe 225 long
15	0 035	T-type pull the faucet into the water pipe
16	0187	Fast nuts
17	0170B	M34 teeth
18	0018	Large nuts M34
19	0013	Stainless steel punch flat pad
20	0017	Caipen base flat glue
21	0545	Bottom fixed plastic seat
22	0024B	24 Tsui
23	0298	Spring faucet shower plastic core
24	0396	Conical stainless steel shower
25	0189	Hose short sets



For parts or sale requirements please contact our customer service department:

CS@daxib.com

1 888 685 8236